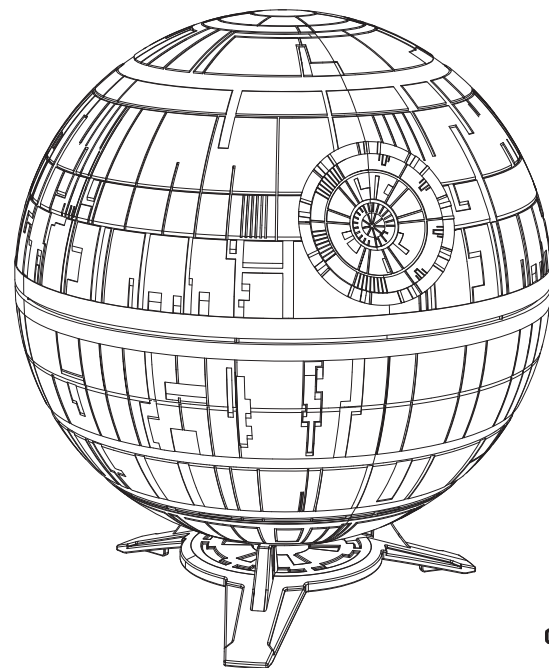




DEATH STAR™ PLANETARIUM



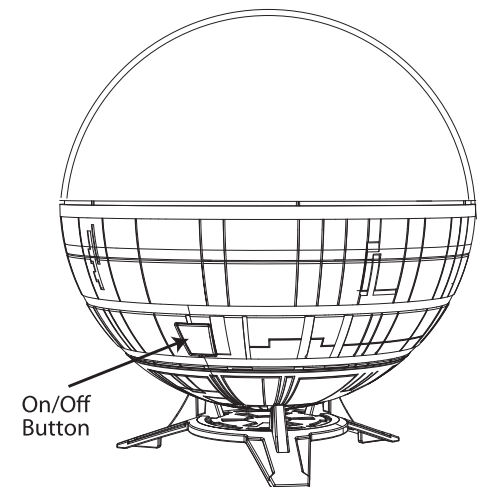
Ages 8+
15077

AA/LR6 x3 Batteries not included
Requires 3 x 1.5V AA/LR6 batteries

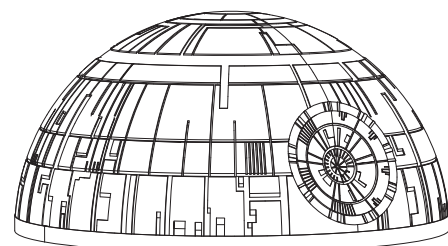
OPERATING THE PLANETARIUM

1. Place Death Star Planetarium in the center of a room on a table or bookshelf. This allows the projection to cover walls and ceiling. A room with smooth light-colored walls and ceiling works best. A room that is approximately 12 x 12 feet provides the best projection quality. The Planetarium works best when it is located between one to six feet from the projection surface. If your ceiling is very high, place the Planetarium on a shelf or create a raised platform by piling up books for example.
2. To project the *Star Wars* Galaxy, remove Death Star Top Cover.
3. To project the stars that are visible from Earth's northern hemisphere, place the Night Sky Dome on top of the *Star Wars* Galaxy Dome.
4. Close curtains or blinds. Press On/Off button.

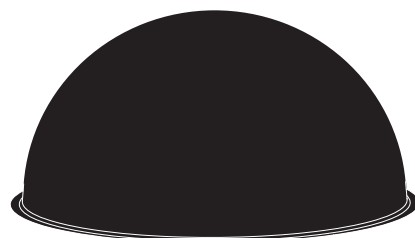
Caution: Do not view light source directly



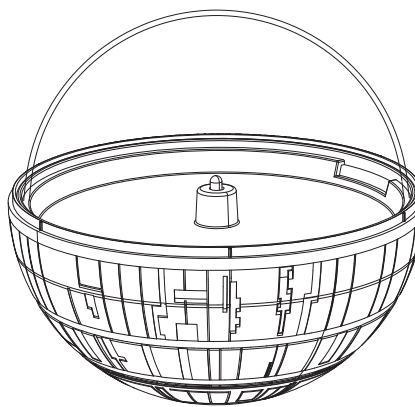
PARTS INCLUDED



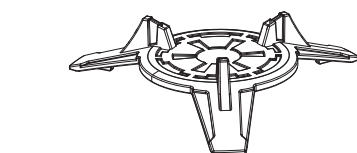
Death Star Top Cover



Night Sky Dome



Star Wars Galaxy Dome



Death Star Planetarium Base



Stand

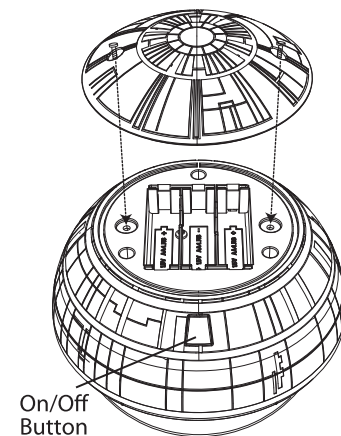
ASSEMBLY

The below should be done by an adult.

Installing Batteries

Tool required: Small Phillips-head screwdriver

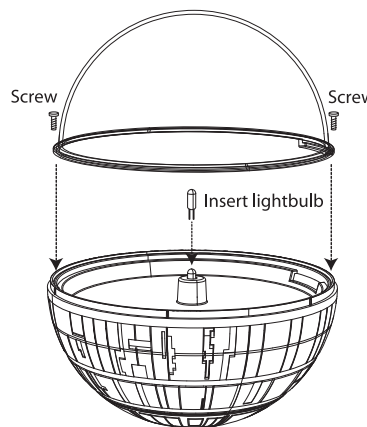
1. Turn Death Star Planetarium Base upside down. With a small Phillips-head screwdriver, remove the battery compartment cover.
2. Insert three 1.5V AA/LR6 batteries into battery compartment, **making sure the "+" and "-" ends are in correct placement as indicated.** Alkaline batteries are recommended.
3. Replace battery compartment cover and tighten screws.



On/Off Button

Installing Lightbulb and Dome

1. Carefully insert one of the lightbulbs into the center of planetarium base. (Important: Be careful not to bend prongs of the bulb.)
2. Turn the Planetarium ON to make sure bulb lights up, then turn it OFF.
3. With a small Phillips-head screwdriver, insert screws to secure the Dome onto the Base.



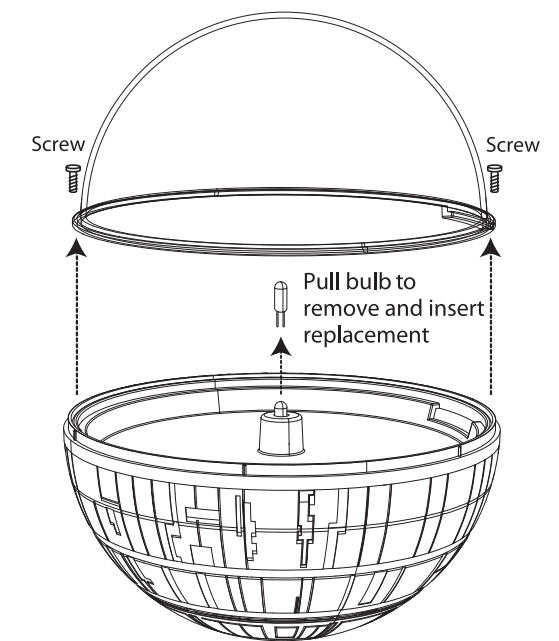
CARE AND MAINTENANCE

Remove batteries when not in use for extended periods. Keep domes clean with a soft cloth and quality anti-static cleaner/polish. Never use abrasive cleaners.

Bulb replacement: Replacement bulbs are available at most electronics retailers. Halogen bulb, voltage: 4.5 V, Current: 500 mA.

The bulb is only to be replaced by an adult.

1. With a small Phillips-head screwdriver, remove Star Wars Galaxy Dome from the Death Star Planetarium Base.
2. Carefully pull old lightbulb out of center of Death Star Planetarium Base.
3. Insert replacement bulb into center of Death Star Planetarium Base. (Important: Be careful not to bend prongs of the bulb.) Turn the Planetarium ON to make sure bulb lights up, then turn it OFF.
4. Replace *Star Wars* Galaxy Dome and tighten the screw.



BATTERY SAFETY INFORMATION

- DO NOT USE rechargeable batteries.
- Do not charge non-chargeable batteries.
- Insert batteries as indicated inside the battery compartment.
- Remove batteries during long periods of non-use.
- Never short-circuit the battery terminals.
- Use only batteries of the same or equivalent as recommended.
- Do not mix new and old batteries, batteries of different types, alkaline and standard (carbon-zinc).
- Always remove exhausted batteries from product. Dispose of batteries safely.
- Do not dispose of this product in a fire. The batteries inside may explode or leak.



Manufactured by Uncle Milton Industries, Inc.
© 2010 UMI. All rights reserved.
® and ™ designate U.S. trademarks of Uncle Milton Industries, Inc.
Westlake Village, CA 91362. Printed in China.
Product and colors may vary.

© 2010 Lucasfilm Ltd. & © or ™ where indicated. All rights reserved.

KEEP THESE INSTRUCTIONS FOR FUTURE REFERENCE — DO NOT DISCARD

Questions? Comments?
info@unclemilton.com
1-888-742-2484
or visit us at unclemilton.com